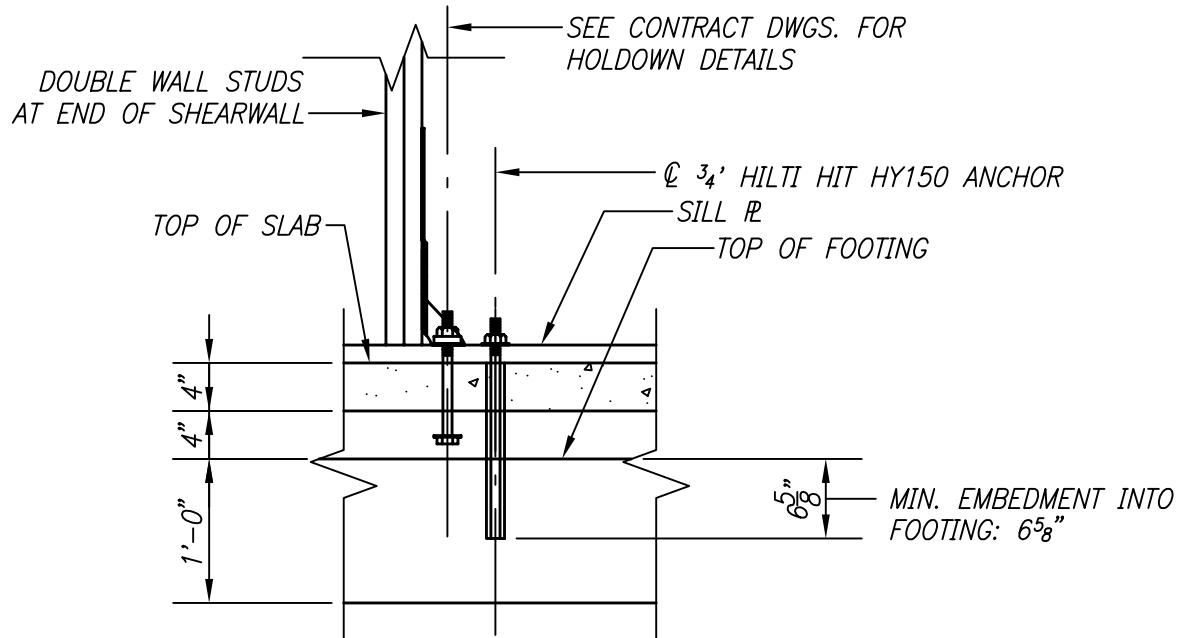


St.Clair, Callaway
Structural Engineering
October 31, 2007

ST. CYPRIAN OF CARTHAGE
ORTHODOX CHURCH
NEW FACILITY
POWHATAN COUNTY, VIRGINIA

Sheet SKS-3



SECTION SHOWING DETAILS OF CORRECTIVE
MEASURES AT HOLDOWN POINTS FOR
SHEARWALLS SW3

$3/4" = 1'-0"$

NOTE: HILTI ANCHOR SHOWN IS TO BE INSTALLED AT EACH HOLDOWN POINT AT ENDS OF EACH SHEARWALL SW3. AT HSS8 COLUMNS, OFFSET ANCHOR IF NECESSARY TO MISS BASE PL'S.